



# ACCESSORIES CATALOG

**BONOMI**  
INDUSTRIES SRL

**Started in 1954 by a young Silvio Bonomi, Bonomi Industries led product and process innovations of the brass valve industry for over 70 years**

**Our founder's motto was "Quality and trust". This is the legacy we bring forward every day.**







# About us

BONOMI INDUSTRIES is an Italian manufacturer of high quality shut-off brass valves, actuators and custom-engineered solutions. Under the RuB brand, its products are globally trusted for their reliability and performance in a variety of applications.

BONOMI INDUSTRIES is part of Hadron group — a private holding company established in 2018 during the strategic reorganization of Rubinetterie Utensilerie Bonomi (RuB), which also led to the creation of Shedstone, a real estate company — BONOMI INDUSTRIES continues to grow and innovate. Started in 1954, with entrepreneurial roots tracing back to 1828, the company upholds the values and tradition of a family business while embracing a vision focused towards the future.

Growth at BONOMI INDUSTRIES is driven by continuous investments in product improvements, advanced machining, assembly, and logistics technologies, as well as expanded manufacturing capabilities, enhanced system interconnectivity, database analysis and strengthened engineering and R&D efforts. At the same time, sustainability — encompassing environmental, social, and governance topics — has always been part of the company's DNA and inspires meaningful actions.

For BONOMI INDUSTRIES, innovation and responsibility go hand in hand. This commitment shapes a journey aimed at safeguarding the environment, empowering people, and fostering resilient governance for a better tomorrow.



**Bonomi Industries turns words into actions for all stakeholders**  
Scan the QR code to discover our values



# Companies

*RuB* valves and actuators are trusted worldwide, installed across five continents and proven in the most demanding applications.

Production takes place entirely at our headquarters, BONOMI INDUSTRIES S.r.l., in Mazzano (Brescia), Italy. Finished products are then distributed globally from Italy and through our international branches. In North America, *RuB, Incorporated* operates from a modern 5.000 sqm (50,000 sqf) facility, handling both assembly and distribution. In Japan, *RuB kk* serves as a strategic presence in a peculiar market.

With a strong global presence, we provide proximity, reliability, and outstanding service to our customers. Our sales team builds lasting partnerships with distributors and OEMs by offering responsive support and technical expertise. Certified, high-quality products, combined with deep knowledge of local cultures and regulations, make BONOMI INDUSTRIES the trusted partner in fluid control solutions.



**Bonomi Industries srl**

MAZZANO, BS - ITALY  
Manufacturing



**RuB, Inc.**

SHAKOPEE, MN - USA  
Distribution



**RuB KK**

TOKYO - JAPAN  
Distribution

**RuB, Inc.**  
SHAKOPEE, MN – USA  
Sales & Distribuzione

**Bonomi Industries**  
MAZZANO, BS – ITALIA  
Produzione & Distribuzione

**RuB KK**  
TOKYO – GIAPPONE  
Sales & Distribuzione



# Quality

*Quality you can trust, proven through generations of experience.*

From rigorous incoming goods inspections to double leak testing, 24-72 hour valve assessments, and visual inspections for top markets/applications, BONOMI INDUSTRIES ensures consistent reliability and precision in every product. Advanced traceability systems, calibrated instruments, and statistical software enhance quality control throughout the production process.

Our dedicated Quality Control team supports continuous monitoring and improvement, ensuring that each production batch meets exactly applicable standards. Paired with robust testing protocols and expert technical support, we deliver solutions designed to meet the most challenging applications.



#### Approved by Lloyd's Register Quality Assurance:

ISO 9001:2015 (Quality Management) since 1998.

ISO 14001:2018 (Environmental Management System) since 2021.

ISO 45001:2018 (Occupational Health & Safety) since 2021.



**Environment:** Air and water are filtered and recovered. Use of recycled environment-friendly packaging materials. Scrap is recycled.



**Product Quality Assessment:** recognized by certifying bodies in all major industrialized countries worldwide



**Safety:** compliance with the provisions of decree 81/2008 for the safety system, extensive staff training, and continuous monitoring



**Customized products** developed by the Engineering Center



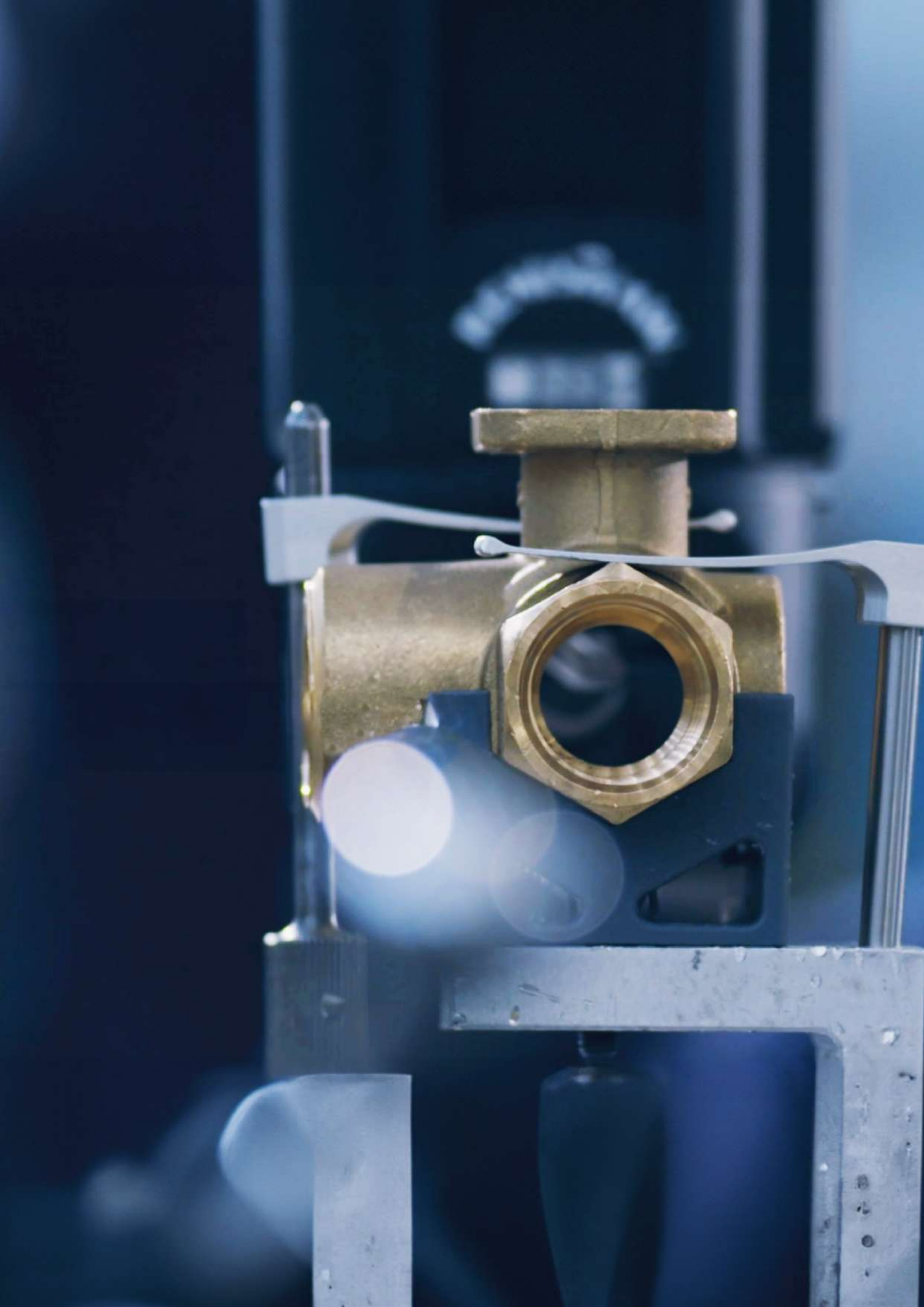
In compliance with the **PED Directive** since 2002



**Quality you can trust**

See our quality process in action/Experience every step of our quality process







# Sustainability

Sustainability has always been a necessity, not a choice. The adoption of sustainable practices at corporate level lays the foundation for creating virtuous cycles that inspire future generations.

Our commitment is stronger than ever, and we're proud to share with you here below figures that mark the tasks we focus on our actions, achievements, and the vision we have for the future. Localized production of electricity is now a reality and we have not been shy with our investments towards clean renewable energy.

Companies are finally waking up to producing their own electricity. Aside from covering the needs of our production manufacturing facility with through solar panels, we constantly reduce energy consumption by investing in smart technology and minimizing heavy material handling.

The diligence with which we strive to make our process and products less impactful on the environment is confirmed by the certifications awarded by international bodies, in particular ISO 14001:2018 and the "silver" medal in the EcoVadis sustainability assessment.

## HOW WE WALK THE TALK.

**100%** of our brass ball valves prevent unnecessary waste – lifetime guaranteed

**96%** manufacturing scrap is reused

**30%** of energy comes from our own renewable sources

**100%** cooling waters are recovered and reused



**Together, safeguarding our Planet**  
Learn more about our initiatives.







# OEM

Every year, OEMs all over the world rely on RuB custom solutions to reduce leaks, equipment breakages and production downtime. We're heavily invested in OEM customizations with custom-made machinery for innovative products and solutions.

We have proven expertise in solving technical and operational challenges for leading boilers, heat pumps and burners manufacturers, LPG gas tank and system manufacturers, manufacturers of watering systems, fire protection, refrigeration, HVAC manufacturers, marine applications with shipbuilders, compressors, tanks, machine tools manufacturers, filtration, chemical, food processing and pharmaceutical companies.

We are intrigued to learn about your obstacles and bring your custom, top shelf solution to life.

## PRIVATE LABEL

We strive to meet the needs of our customers in every way possible. And we do so not only through specifically designed, engineered and manufactured OEM products, but also by customizing standard RuB ball valves.

The possible branding options to choose from include:

- Changing the lever marking to the customer's trademark
- Packing with a custom label
- Customized handle colors and materials
- Customized valve fittings
- Dedicated valve body stamping
- Special marking on the valve body
- Custom installation instructions



**OEM solutions, custom made for you**

OEMs have a Partner to solve their challenges and develop new products











# Certifications

We are proud to offer 100% made-in-Italy shut-off brass valves, actuators, and OEM-engineered products, all manufactured in our ISO 9001:2015 certified headquarters in Brescia, Italy. Since adopting this quality management system in 1992 under Lloyd's Register, we have continuously improved product reliability, performance and traceability.

Our certifications, granted by leading global laboratories and agencies, demonstrate compliance with the highest standards for major applications and markets. Supported by rigorous testing and state of art technology, our products meet the demanding requirements of top manufacturers and distributors worldwide.

## PRODUCT TYPE APPROVALS

 Deutsche Vereinigung des Gas und Wasserfaches e.V. Technisch-wissenschaftlicher Verein		 Система сертификации ГОСТ Р Госстандарт России	
 Deutsche Vereinigung des Gas und Wasserfaches		 The Australian Gas Association	
 Deutsche Vereinigung des Gas und Wasserfaches Hygiene		 OSHA Compliant	
 Schweizerischer Verein des Gas und Wasserfaches		 Factory Mutual Research Corporation	
 Attestation de Conformité Sanitaire		 Underwriter Laboratories Inc.	
 ARGB-KVBG		 CRN-TSSA	
 Water Regulations Advisory Scheme		 CSA International for Drinking Water to NSF/ANSI 61- NSF/ANSI 372	
 British Standards Institution		 CSA - Canadian Standards Association	
 Kiwa KUKreg4		 KSF -Kuwait Fire Service Directorate	
 Ri.se. / Boverket		 LIA - L.P Gas Instruments Inspections Association	
 Kiwa - Swedcert		 General Directorate of Civil Defence	

## COMPLIANCES

 ROHS		 PED 2014/68/UE by ICIM (0425)	<b>PED</b>
 Reach declaration	<b>Reach</b>	 Декларация соответствия	<b>EAC</b>



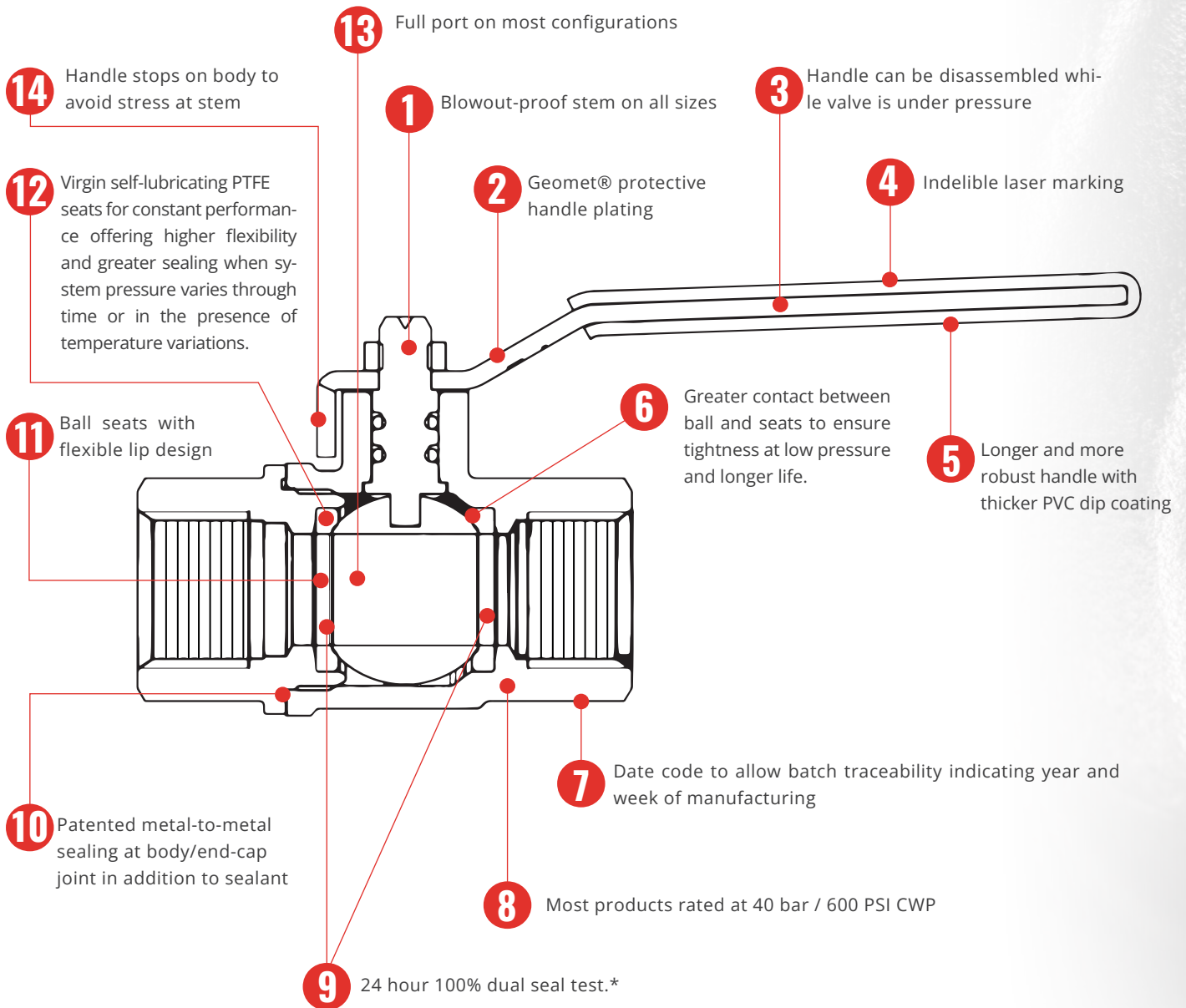
We developed and constantly innovate strict protocols and processes  
Discover all the certifications and awards received from international bodies



PATENTED  
NO. 1421306

OPEN  
SHUT

# RuB valve features



## RuB seal test

Valve in half open position is pressurized at 6 bar (87 psig), then closed, trapping compressed air in between ball seats and stem sealing. After adequate preset time, based upon valve size, any leaks are verified using extremely accurate electronic sensors and any defective valve is automatically rejected; all valves passing this initial seal test are filled with compressed air again and remain closed and under pressure for minimum 24 hours; after 24 hours, the valves go back again under the same accurate a new set of electronic pressure sensors and any leaking valve is automatically rejected.

\* Certain products are not suitable for double seal test



Our solutions come with an added benefit: maximizing your revenue  
Scan the QR code to discover our products





# ACCESSORIES CATALOG

RuB accessories are designed to address diverse operational challenges, offering solutions for flow control, tamper resistance, space constraints, and thermal efficiency. With customizable options and tailored designs, we provide flexibility to meet unique requirements, ensuring optimal performance and functionality in every application.



## Accessories to forged RuB ball valves

**Geomet® carbon steel lever** Page 21

**AISI 430 stainless steel lever** Page 21

**Geomet® carbon steel left lever** Page 22

**Geomet® carbon steel 90° reverse lever** Page 22

**Aluminum - brass - Geomet® carbon steel T-handle** Page 23

**Patented lockable handle** for *RuB* manual ball valves Page 24

**Lockable handle** for 3-way ball valves series s.76 (L-port) and s.64/T.264 with ISO5211 F03 mounting flange Page 25

**Lockable handle** for 3-way ball valves series s.73 (T-port) with ISO5211 F03 mounting flange Page 25

**Oval lockable handle** for *RuB* manual ball valves Page 26

**Memory stop** Use together with *RuB* stubby handles with knurling Page 27

**Geomet® carbon steel stubby handle** Page 27

**Stem Extension** for *RuB* ball valves with O-ring stem design Page 28

## Accessories to mini and micro ball valves

**Nylon lever and T-handle** for s.34 Page 30

**Nylon wedge handle** for s.35 Page 31

**Metal wedge handle** for s.35 Page 31

**Nylon wedge handle** for s.39 micro Page 31

## Miscellaneous accessories

**Union connection set** for s.9036 Page 32

**Union connection set** for s.80 Page 32

**Dielectric union connection set** for s.80 Page 32

**Filter** for check valves s.120 Page 33

**Filter** for check valves s.123 Page 34

**Filter (500 µm mesh)** for s.190 Page 35

**Drains and caps** for s.81 Page 36

**Top lever caps** for RuB ball valves Page 37

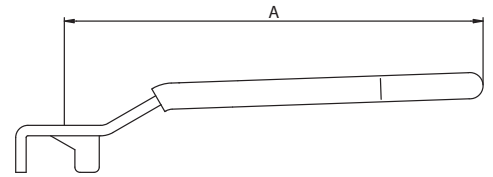
## Accessories to actuators

**Limit switch box** Page 38





# Geomet® carbon steel lever



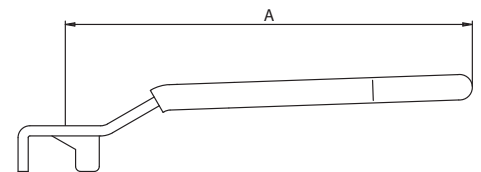
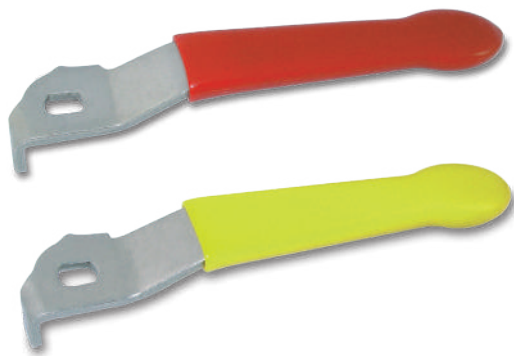
Full port	1/4"÷3/8"	1/2"	3/4÷1"	1 1/4"÷2"	2 1/2÷4"
Standard port	1/4"÷3/8"	1/2"÷3/4"	1"÷1 1/4"	1 1/2"÷2 1/2"	3"÷4"
<b>A (mm)</b>	82	100	120	158	255
<b>Red</b>	Code PLFR11	PLFR13	PLFR16	PLFR19	PMFR20
<b>Yellow</b>	Code PLFG11	PLFG13	PLFG16	PLFG19	PMFG20
<b>Black</b>	Code PLFN11	PLFN13	PLFN16	PLFN19	PMFN20
<b>White</b>	Code PLFW11	PLFW13	PLFW16	PLFW19	PMFW20
<b>Light Blue</b>	Code PLFA11	PLFA13	PLFA16	PLFA19	PMFA20
<b>Green</b>	Code PLFV11	PLFV13	PLFV16	PLFV19	PMFV20



\* PMFG20

Part description		Q.ty	Material
1	Geomet plated steel handle	1	DD11 (EN10111)
2	Dipped coating	1	PVC

# AISI 430 stainless steel lever

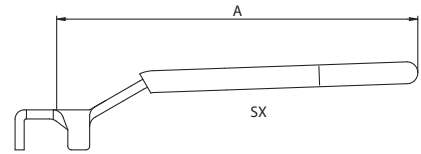


Full port	1/4"÷3/8"	1/2"	3/4÷1"	1 1/4"÷2"
Standard port	1/4"÷3/8"	1/2"÷3/4"	1"÷1 1/4"	1 1/2"÷2 1/2"
<b>A (mm)</b>	82	100	120	158
<b>Red</b>	Code PLAR11	PLAR13	PLAR16	PLAR19
<b>Yellow</b>	Code PLAG11	PLAG13	PLAG16	PLAG19

Part description		Q.ty	Material
1	Stainless steel handle	1	AISI 430
2	Dipped coating	1	PVC



# Geomet® carbon steel left lever

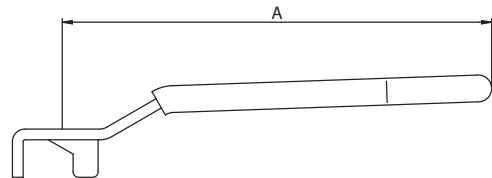


Description	Q.ty	Material
Geomet® plated steel handle	1	DD11 (EN10111)
Dipped coating	1	PVC

Full port	1/4"÷3/8"	1/2"
Standard port	1/4"÷3/8"	1/2"÷3/4"
A (mm)	100	100
Black	Code	PLFN10
		PLFN10

The left handles are the solution where the valves are installed on a parallel piping system.

# Geomet® carbon steel 90° reverse lever



Full port		1/2"
Standard port		1/2"÷3/4"
A (mm)		100
Yellow	Code	PLIG03
Light Blue	Code	PLIA03
Light Blue SX	Code	PLIA00

Description	Q.ty	Material
Geomet® plated steel handle	1	DD11 (EN10111)
Dipped coating	1	PVC



We have also reversed handle: in this version the handle is parallel to the pipe when the valve is closed and perpendicular when the valve is open. This option is available only in the small size for valves up to 1/2" (or 3/4" for reduced bore)

Stem flats show actual ball position



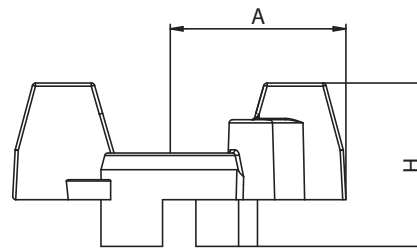
# Aluminum - brass - Geomet® carbon steel T-handle



Corrosion is a big problem that many have to face when using valves in underground or outdoor installations, especially near sea, or when valves are used in swimming pools (chlorine), trucks or fire-fighting equipment.

Most people understand that brass components performance are quite high, while the problem with a ball valve may arise from a component you would have never thought about: the aluminum T-handle.

To benefit of brass resistance to corrosion, **RuB** has developed brass T-handles.



Full port	1/4"÷3/8"	1/2"	3/4÷1"
Standard port	1/4"÷3/8"	1/2"÷3/4"	1"÷1 1/4"
A (mm)	25	25	30
H (mm)	25	25	28
Red	Code PFAR03	PFAR03	PFAR06
Yellow	Code PFAG03	PFAG03	PFAG06
Light Blue	Code PFAB03	PFAB03	PFAB06
Green	Code PFAV03	PFAV03	PFAV06

Description	Q.ty	Material
Aluminum T-handle	1	EN AC- 46100

Full port	1 1/4"÷2"
Standard port	1 1/2"÷2 1/2"
A (mm)	57
H (mm)	51
Red	Code PFFR09
Yellow	Code PFFG09
Light Blue	Code PFFA09
Green	Code PFFV09
Brass unplated	Code --
Brass nickel plated	Code --

Description	Q.ty	Material
Geomet® plated steel T-handle	1	DD11 (EN10111)
Dipped coating	1	PVC

Full port	1/4"÷3/8"	1/2"	3/4÷1"
Standard port	1/4"÷3/8"	1/2"÷3/4"	1"÷1 1/4"
A (mm)	25	25	30
H (mm)	25	25	28
Brass unplated	Code PFOG03	PFOG03	PFOG06
Brass nickel plated	Code PFON03	PFON03	PFON06

Description	Q.ty	Material
Unplated brass T-handle	1	CW617N
Nickel plated brass T-handle	1	CW617N

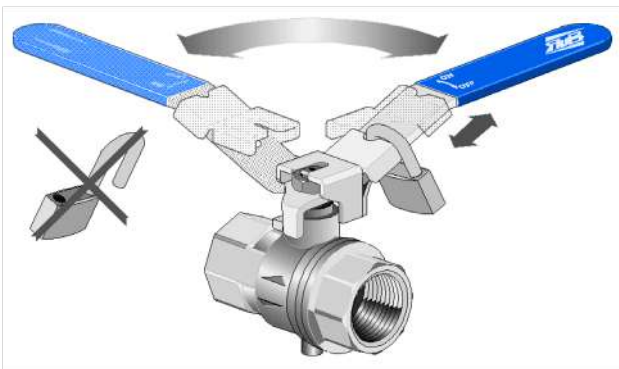


# Patented lockable handle

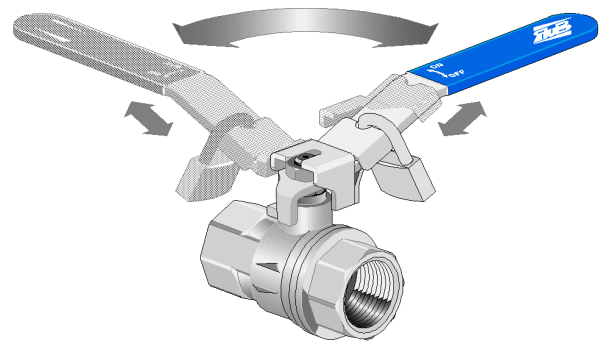
for *RuB* manual ball valves



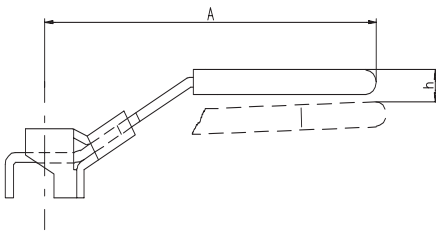
The *RuB* lockable handle is made of strong Geomet® carbon steel and designed to discourage tampering. The *RuB* locking device covers the top nut of the valve making padlock removal impossible without a key. Easy to install on valves in the field, the *RuB* lockable handle will lock s.93 *RuB* valves in closed position only in compliance with OSHA (USA) safety requirements, while other *RuB* valves can be locked in both the open and closed positions.



Lockable only in closed position when assembled on s.93 *RuB* range



Lockable in both open and closed positions when assemble on any other *RuB* range



Code	PBFA13	PBFA16	PBFA19	PBFA20
Full port	1/4"÷3/8"÷1/2"	3/4"÷ 1"	1 1/4"÷1 1/2" ÷2"	2 1/2"÷3"÷4"
Reduced port	1/2"÷3/4"	1"÷1 1/4"	1 1/2"÷2"÷2 1/2"	3"÷4"
A (mm)	96	117	156.5	250
h (mm)	8.5	9.5	4	8

Description	Q.ty	Material
Geomet® plated steel handle	1	DD11 (EN10111)
Dipped coating	1	PVC

Dimension A shows handle length from center of stem; dimension h shows height of handle compared to standard handle assembled on valves. Two bottom lines show size of valve to fit wish each size of lockable handle. Use 9/32" size shackle padlock up to 2", and 5/16" over.



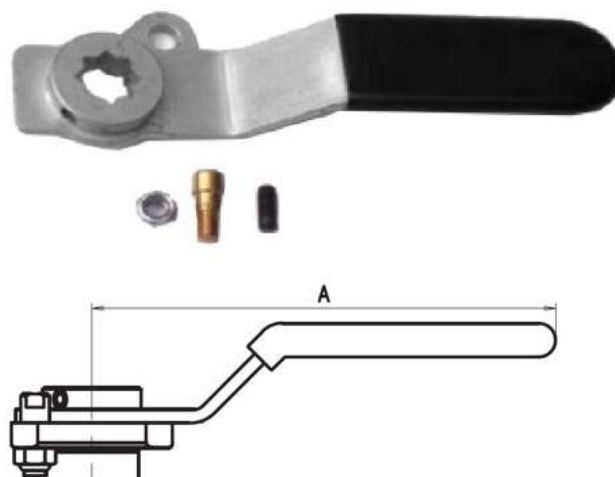


# Lockable handle

for 3-way ball valves series s.76 (L-port) and s.64/T.264 with ISO5211 F03 flange

Flange Size		F03
A (mm)		103
Black	Code	SLFD03

Description	Q.ty	Material
Geomet® plated steel handle	1	DD11 (EN10111)
Dipped coating	1	PVC
Stainless steel screw	1	AISI 304
Zinc plated steel nut	1	Class 8 (UNI7474)
Unplated stop	1	CW617N



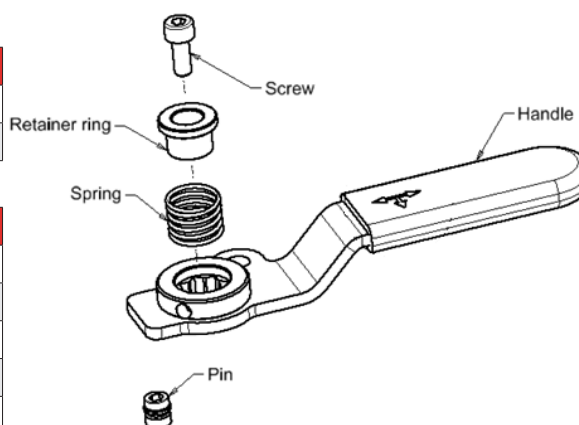
This kit easily converts an actuated valve to a manual one. To lock valve in any position, use 4mm (5/32" ) shackle padlock.

# Lockable push & turn handle

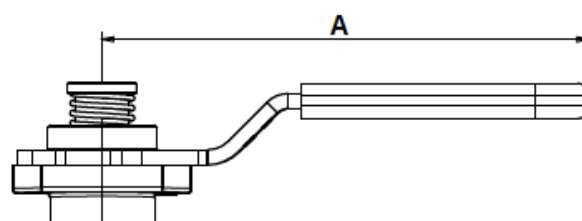
for 3-way ball valves series s.73 (T-port) with ISO5211 F03 flange

Flange Size		F03
A (mm)		103
Black	Code	K73N13

Description	Q.ty	Material
Geomet® plated steel handle	1	DD11 (EN10111)
Dipped coating	1	PVC
Screw	1	AISI 304
Retainer ring	1	CW617N
Spring	1	AISI 302
Pin	1	CW617N



To lock valve in any position, use 4mm (5/32" ) shackle padlock.





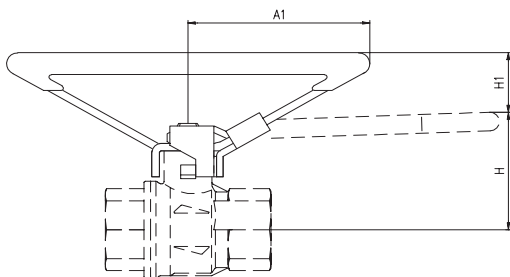
# Oval lockable handle

for *RuB* manual ball valves



The *RuB* oval/round lockable handle is for service where there isn't enough space for levers or T-handles, or where lever handles might be moved unintentionally. It is made of steady carbon steel and it features the patented *RuB* lockable device.

The *RuB* oval lockable handle is available for all sizes of forged *RuB* valves up to 2" and in round shape for sizes 2 1/2" thru 4"; it is easy to install on valves in the field or you can simply order your *RuB* valves with this option.



Code	PBOA03	PBOA06	PBOA09	PBOA10	
Size	1/4"÷3/8"	1/2"	3/4"÷1"	1 1/4"÷1 1/2"÷2"	2 1/2"÷3"÷4"
A1 (mm)	58	58	70	70	155
H1 (mm)	20	19.5	22	15	3.2

Size	1/4"÷ 2"	2 1/2"÷ 4"
Locker shackle	9/32"	5/16"

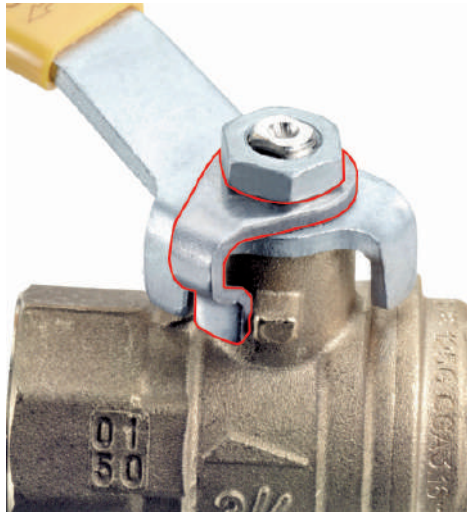
Description	Q.ty	Material
Geomet® plated steel handle	1	DD11 (EN10111)
Dipped coating	1	PVC

Dimension A1 shows handle dimension from centre of stem. Dimension H1 shows height of handle compared to standard handle assembled on valves.



# Memory stop

Use together with **RuB** stubby handles with knurling

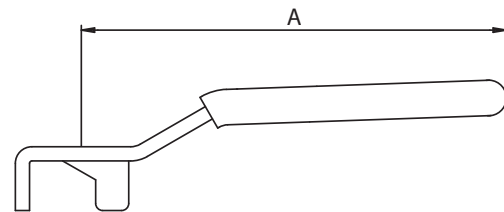


Full port valve	1/4"÷3/8"	1/2"	3/4÷1"	1 1/4"÷2"
Standard port valve	1/4"÷3/8"	1/2"÷3/4"	1"÷1 1/4"	1 1/2"÷2 1/2"
Code	PPMA03	PPMA03	PPMA06	PPMA09

Description	Q.ty	Material
Geomet® plated steel memory stop	1	DD11 (EN10111)

Memory Stop allows to control flow passing through the valve by curbing ball movement from fully closed to a preset position. Installing a memory stop on a standard **RuB** valve is very easy and can be done even while valve is being used. Memory stops should be used only with **RuB** valves with O-Ring stem design

# Geomet® carbon steel stubby handle



Full port valve	1/4"÷3/8"	1/2"	3/4÷1"	1 1/4"÷2"	
Standard port valve	1/4"÷3/8"	1/2"÷3/4"	1"÷1 1/4"	1 1/2"÷2 1/2"	
A (mm)	45	45	90	100	
Yellow	Code	PLTG13	PLTG13	PLTG16	PLTG19

Description	Q.ty	Material
Geomet® plated steel handle	1	DD11 (EN10111)
Dipped coating	1	PVC

**RuB** levers are not only strong, but also long for easy maneuver. To solve space constraints issues, install our stubbies.



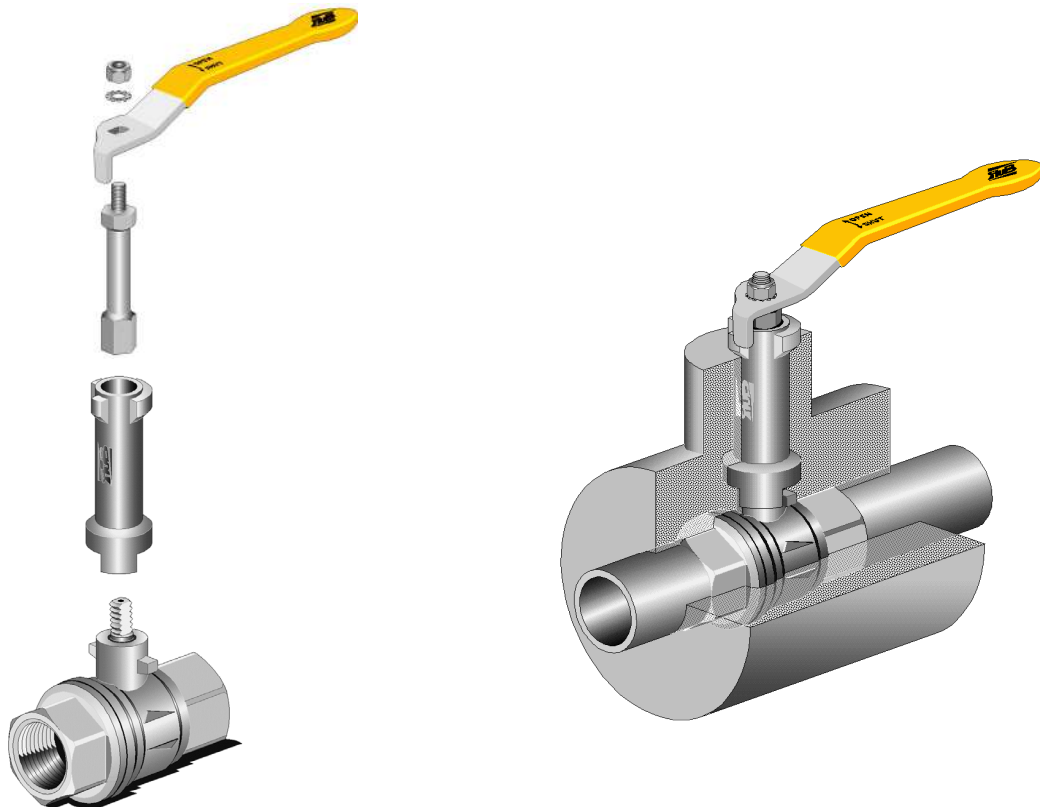
# Stem Extension

for *RuB* ball valves with O-ring stem design

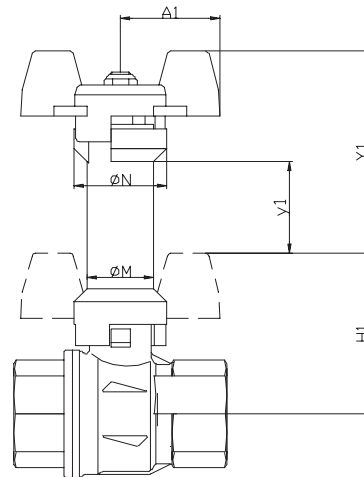
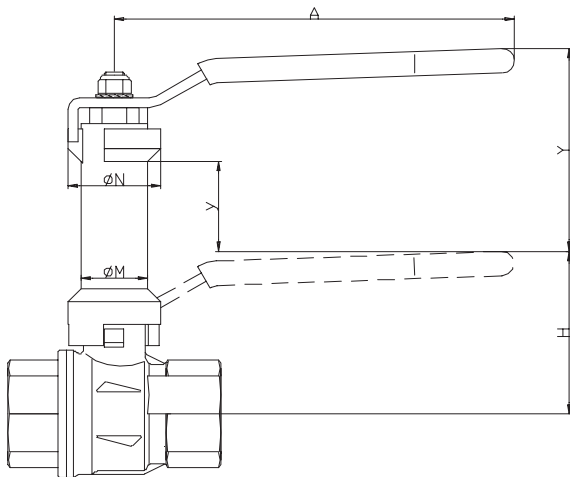


Today's world is conscious of the energy savings required to maintain resources for the future. To avoid heat loss from insulated pipes, **RuB** offers stem extensions which provide easy operation over insulation.

**RuB** stem extensions are made of strong hot forged brass and are designed for low heat losses from the pipe to the ambient environment. They are easy to install on **RuB** valves even while valves are in service.



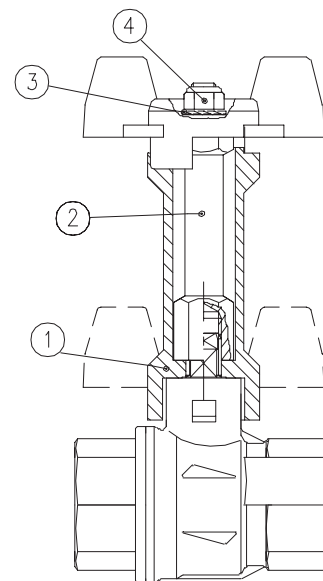
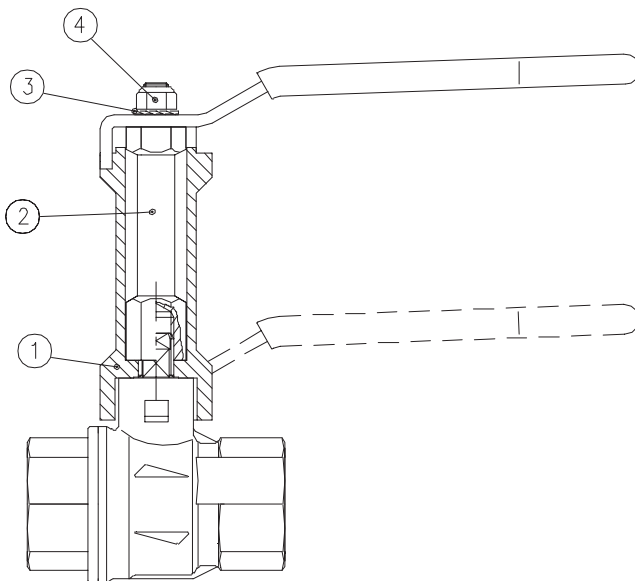
Each user should perform his own tests to find out the suitability for his particular application. BONOMI INDUSTRIES makes no warranty, express or implied, as to the shape, fit or function of a product for any application. Contact us or consult with your supplier for additional information on the suitability of the BONOMI INDUSTRIES products with your specific field of use.



Dimensions Y, y, Y1 and y1 are additional to dimension H on the relevant valve drawing

Code	PPRO03		PPRO06	PPRO09
Full port valve	1/4"÷3/8"	1/2"	3/4"÷1"	1 1/4"÷1 1/2"÷2"
Reduced port valve		1/2"÷3/4"	1"÷1 1/4"	1 1/2"÷2"÷2 1/2"
M (mm)	17	17	20	26
N (mm)	25	25	28	36
A (mm)	82	100	120	158
Y (mm)	56.5	56.5	62.5	67.5
y (mm)	26.5	26.5	27.5	20.5
A1 (mm)	25	25	30	--
Y1 (mm)	56.5	56.5	62.5	--
y1 (mm)	25.5	26	30.5	--

Note: Stem extensions should not be used on valves with packing gland designs due to regular required maintenance adjustments.



Item	Description	Q.ty	Material
1	Body	1	CW617N
2	Connection	1	CW617N
3	Tab washer	1	Steel
4	Self-locking nut	1	Steel

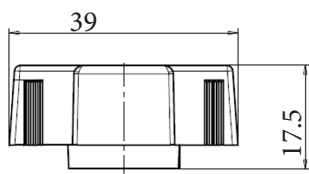
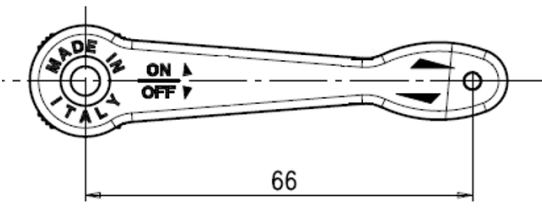
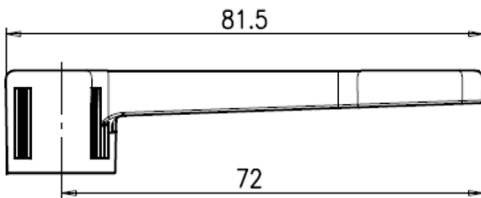


# Accessories

to mini and micro ball valves

## Nylon lever and T-handle

for s.34



Item No	Description	Colour
PLNB34	Blue nylon lever for s.34	RAL5017
PLNG34	Yellow nylon lever for s.34	RAL1028
PLNN34	Black nylon lever for s.34	RAL9005
PLNR34	Red nylon lever for s.34	RAL3000

Description	Q.ty	Material
Lever for s.34	1	Nylon glass filled 30%

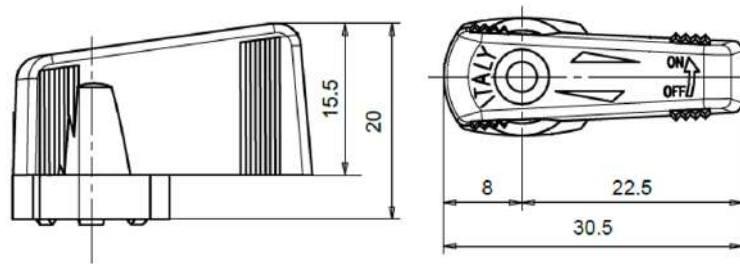
Item No	Description	Colour
PFNA34	Orange nylon T-handle for s.34	RAL2009
PFNB34	Blue nylon T-handle for s.34	RAL5017
PFNG34	Yellow nylon T-handle for s.34	RAL1028
PFNN34	Black nylon T-handle for s.34	RAL9005
PFNR34	Red nylon T-handle for s.34	RAL3000

Description	Q.ty	Material
T-handle for s.34	1	Nylon glass filled 30%



# Nylon wedge handle

for s.35



Item No	Description	Colour
PLN35G	Yellow nylon wedge handle for s.35	RAL1028
PLN35N	Black nylon wedge handle for s.35	RAL9005
PLN35R	Red nylon wedge handle for s.35	RAL3000
PLN35V	Green nylon wedge handle for s.35	RAL6001
PLG35N (Upon request)	Grey Grivory® wedge handle for s.35	RAL7012

Description	Q.ty	Material
Wedge handle for s.35	1	Nylon glass filled 30%

# Metal wedge handle

for s.35



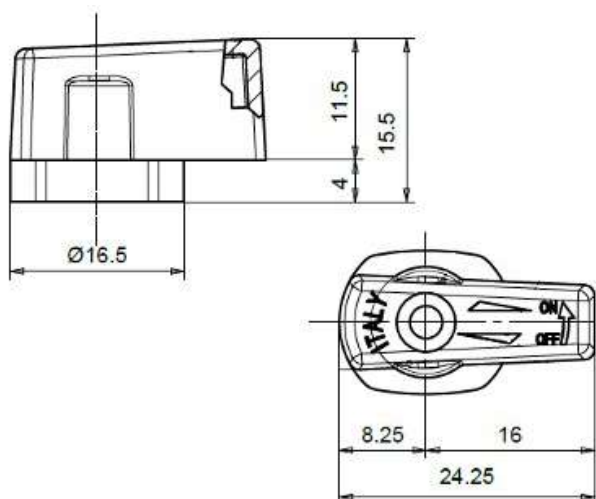
Colours	Yellow	Blue	Black	Red	Green	Chrome
Code	PLZ35G	PLZ35B	PLZ35N	PLZ35R	PLZ35V	PLZ35C

Description	Q.ty	Material
Metal wedge handle for s.35	1	ZAMA Z5

Thanks to the metal wedge handles mounted on s35 series, it's now possible to reach working temperatures up to 120°C (250°F). The metal wedge handles are available in red, black, yellow, green, light blue and chrome plated. Same dimensions as nylon wedge handle.

# Nylon wedge handle

for s.39 micro



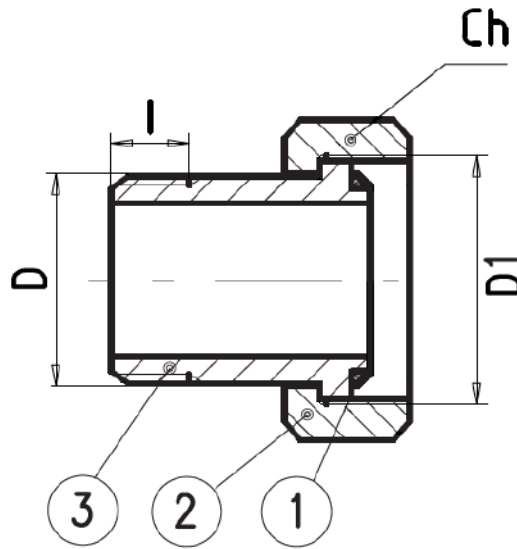
Item No	Description	Colour
PLN39N	Black nylon wedge handle for s.39	RAL9005

Description	Q.ty	Material
Wedge handle for s.39	1	Nylon glass filled 30%

# Miscellaneous accessories

## Union connection set

for s.9036



Pos.	Description	Q.ty	Material
1	O-Ring	1	EPDM
2	Nickel plated union nut	1	CW617N
3	Nickel plated union tailpiece	1	CW617N

Size	1/2" x 3/4"	3/4" x 1"	1" x 1 1/4"	1 1/4" x 1 1/2"
D (inch)	1/2" ISO228	3/4" ISO228	1" ISO228	1 1/4" ISO228
D1 (inch)	3/4" ISO228	1" ISO228	1 1/4" ISO228	1 1/2" ISO228
l1 (mm)	10	12	14	15
Ch (mm)	30	37	46	52

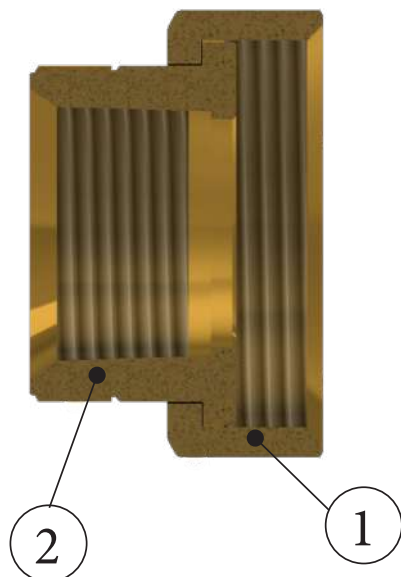
Spare parts	S90D3*	S90E3*	S90F3*	S90G3*
Nut	PD90EN	PD90FN	PD90GN	PD90HN
Hose with OR	PB90DR	PB90ER	PB90FR	PB90GR





# Union connection set

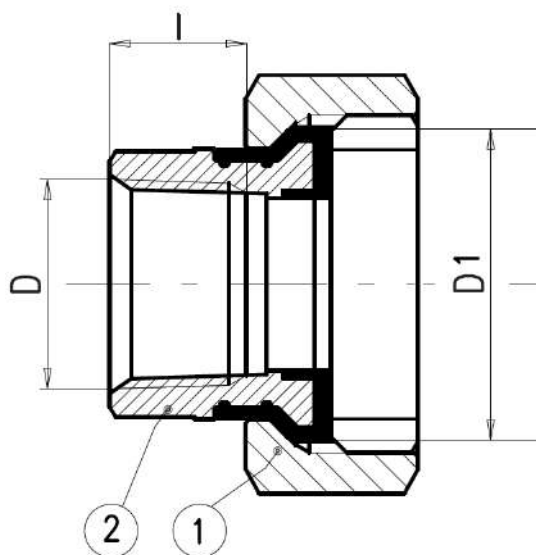
for s.80



Item	Description	Q.ty	Thread type	Material
1	Sand blasted unplated nut	1	G 1.1/2" ISO228	CW617N
2	Unplated female tailpiece	1	1" NPT ANSI B1.20.1	CW617N

# Dielectric union connection set

for s.80

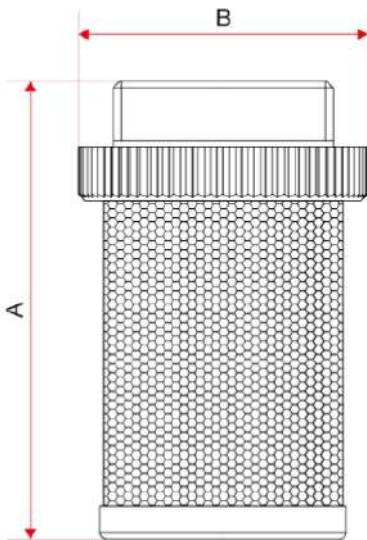


Item	Description	Q.ty	D1	D	l	Material
1	Sand blasted unplated nut	1	G 1 1/4" ISO228			CW617N
2	Unplated female dielectric tailpiece	1		3/4" NPT ANSI B1.20.1	0.67"	CW617N + PA

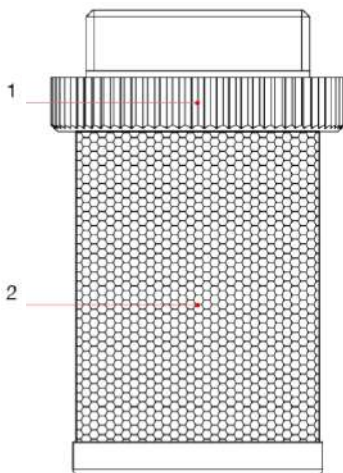
# Filter

## for check valves s.120

- Degree of filtration: from 3/8" to 2": 1200µm; from 2 1/2" to 4": 2000µm.
- Threaded connection: ISO 228.



	3/8"	1/2"	3/4"	1"	1 1/4"	1 1/2"	2"	2 1/2"	3"	4"
A	42	47	58	70	76	83	99,5	123	138	152,5
B	25,7	30	35,9	43,9	50,9	56,9	68,9	86	102	129



Item	Description	Q.ty	Material
1	Hose	1	Polymer
2	Grid	1	AISI 304

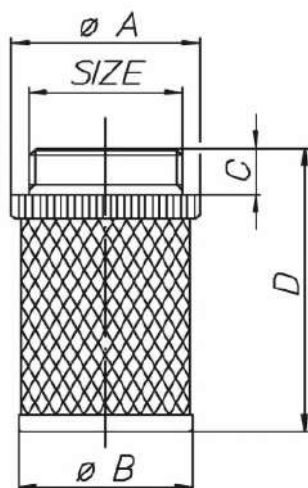
Item No.	For ball valve s.190 size
PFILAC	3/8"
PFILAD	1/2"
PFILAE	3/4"
PFILAF	1"
PFILAG	1 1/4"
PFILAH	1 1/2"
PFILAI	2"
PFILAL	2 1/2"
PFILAM	3"
PFILAN	4"



# Filter

## for check valves s.123

- Threaded connection: ISO 228.



Code	PF13AC	PF13AD	PF13AE	PF13AF	PF13AG	PF13AH	PF13AI	PF13AL	PF13AM	PF13AN
Size (inch)	3/8"	1/2"	3/4"	1"	1 1/4"	1 1/2"	2"	2 1/2"	3"	4"
Ø A mm	21	26	32	40	49	55	68	85	99	121
Ø B mm	19	23	29	37	44	50	61	80	93	116
C mm	7	8	9	10	11	11	12	13	14	14
D mm	46,5	50	57	62	68	78	90	97	110	128
Material (s)	1	Polymer								
	2	AISI304								

# Filter (500 µm mesh)

## for s.190



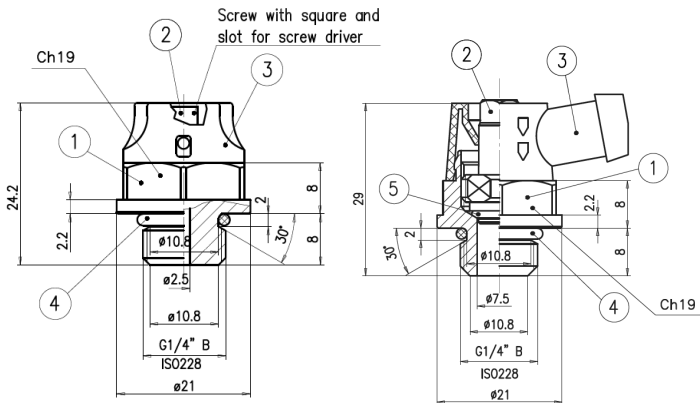
Code	PF190D	PF190E	PF190F	PF190G	PF190H	PF190I
Size (inch)	1/2"	3/4"	1"	1 1/4"	1 1/2"	2"
Ø A mm	12,9	16,8	20,8	29,5	37,5	47,5
Ø B mm	15,3	20,2	24	32,5	39,5	51
C mm	33,5	39,5	46	62	73	89
Material (s)	Nylon + AISI 304					

# Drains and caps

for s.81

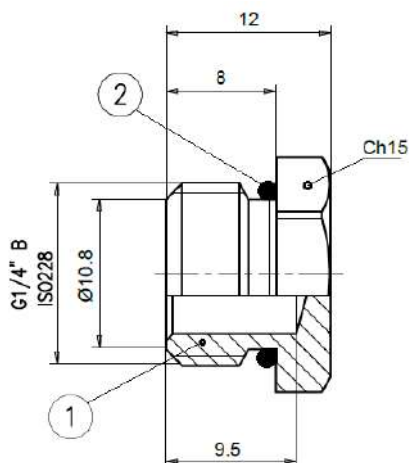


Item No.	Description
PSPR811	Side drain valve G 1/4", compact version screwdriver operated
PSPR81	Side drain valve G 1/4" with hose connection
PTNR81	Side cap G 1/4"



PSPR81 - Side drain valve G 1/4" with hose connection  
 PSPR811 - Side drain valve G 1/4", compact version screwdriver operated

Pos.	Description	Q.ty	Material
1	Nickel plated body	1	CW614N
2	Nickel plated screw	1	CW612N
3	Rotating plastic head	1	Nylon-6
4	O-Ring	1	EPDM
5	O-Ring for PSPR81 only	1	EPDM



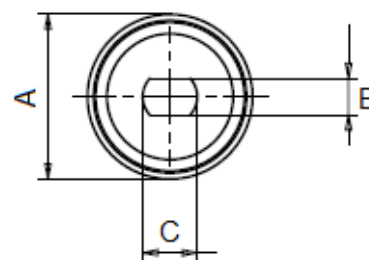
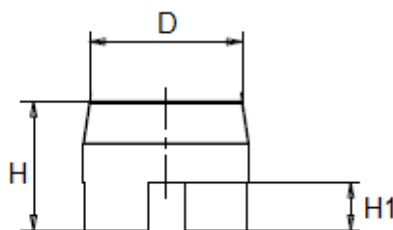
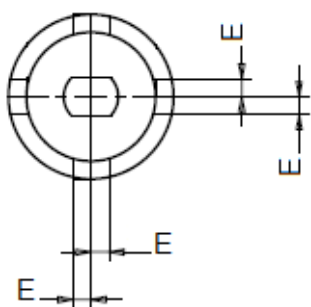
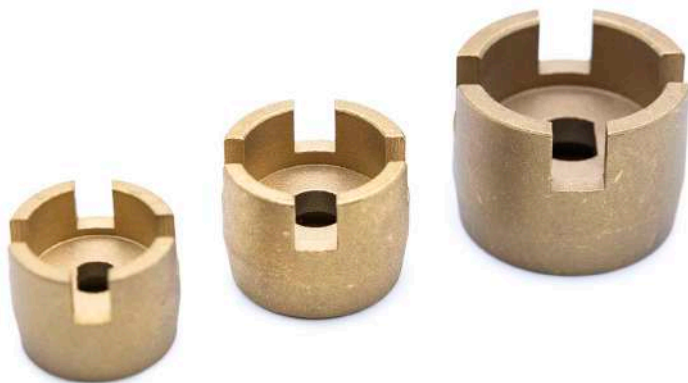
PTNR81 - Side cap G 1/4"

Pos.	Description	Q.ty	Material
1	Nickel plated cap	1	CW617N
2	O-Ring	1	EPDM



# Top lever caps

for RuB ball valves



Code	SCOG03	SCOG06	SCOG09
Full port	1/4" - 1/2"	3/4" - 1"	1 1/4" - 2"
Standard port	1/4" - 3/4"	1" - 1 1/4"	1 1/2" - 2 1/2"
ØA (mm)	24	27,5	36,5
B (mm)	5,1	6,1	8
C (mm)	7,1	9,1	12,1
H (mm)	18,5	21,5	27
H1 (mm)	7	8	10
ØD (mm)	18,5	25,4	28,5
E (mm)	2,5	3	4
Material (s)	CW617N		



# Limit Switch box



## FEATURES AND SPECIFICATIONS:

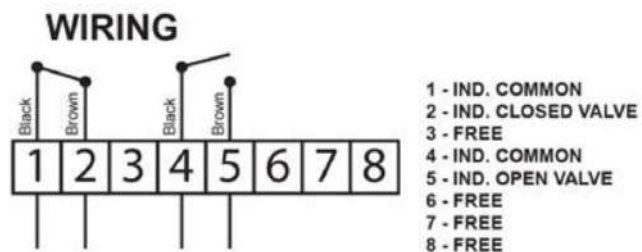
- Enclosure: waterproof IP67, O-ring sealed
- Material: aluminum, polyester coated
- Ambient temperature: -20°C ~ +80°C
- Switch cams: adjustable, preset for 90°
- Cable entries: 2xM20x1.5
- Terminal block: 8 pos of terminal strips (6 for switches, 2 for solenoid valve power)
- Position indicator: dome type 0°C ~ 90°C
- Mounting bracket: stainless steel acc. to VDI/VDE3845, NAMUR
- Mechanical switches: 2 pcs. max 250V AC 16A, 125 V DC 0.6A

## LIMIT SWITCH BOX XGESLSE - 5466

Each user should perform his own tests to find out the suitability for his particular application. BONOMI INDUSTRIES makes no warranty, express or implied, as to the shape, fit or function of a product for any application. Contact us or consult with your supplier for additional information on the suitability of the BONOMI INDUSTRIES products with your specific field of use.

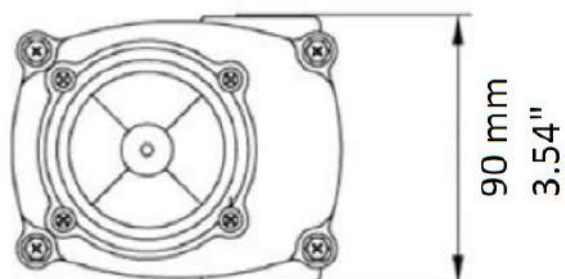


ACCESSORIES

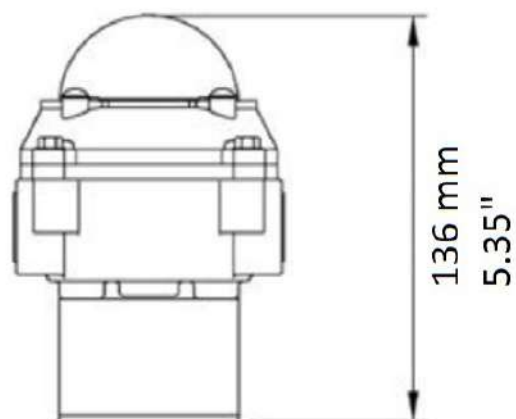
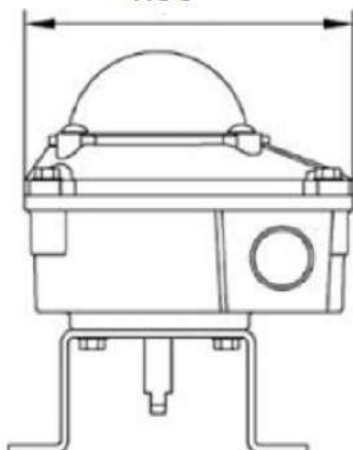


## DIMENSIONS :

Dimensions are in mm/inch



110 mm  
4.33"







# Application Catalog



ACTUATION



INDUSTRY



PNEUMATIC



GAS



FIREFIGHTING



DRINKING WATER



PLUMBING



ACCESSORIES





Ask for additional information on the whole range of **RuB** products and consult with your supplier for special applications.

For complete disclaimer: [www.rubvalves.com/disclaimer](http://www.rubvalves.com/disclaimer)



**ALL RIGHTS RESERVED | COPYRIGHT© BONOMI INDUSTRIES 2025**

**BONOMI INDUSTRIES** endeavors to provide comprehensive information about the installation, maintenance and operation of its products. For more details or clarification, please contact us. **BONOMI INDUSTRIES** reserves the right to change or modify product design, construction, specifications, materials or the information herein without prior notice and without incurring any obligation to make such changes and modifications on products previously or subsequently sold. Content of this document is proprietary to **BONOMI INDUSTRIES** and it may not be copied in part or in whole without prior written authorization. Recommendations on application design and material selection are based on available technical data and are offered as suggestions only. Each user should make his/her own tests to determine the suitability for his/her own particular use. **BONOMI INDUSTRIES** gives no express or implied warranties concerning the form, fit, or function of a product in any application. **BONOMI INDUSTRIES** does not accept liability for errors or omissions. Any undated reference to a code or standard shall be interpreted as referring to the latest edition.

**BONOMI INDUSTRIES**, **RuB** and triangles, are all registered trademarks of **BONOMI INDUSTRIES**. Other logos or trademarks are property of respective owners.





**BONOMI**  
INDUSTRIES SRL



Via Padana Superiore, 29, 25080 Mazzano (BS), Italy  
Tel.: +39 030 212441 - [sales@rubvalves.com](mailto:sales@rubvalves.com)  
[www.bonomiindustries.com](http://www.bonomiindustries.com)